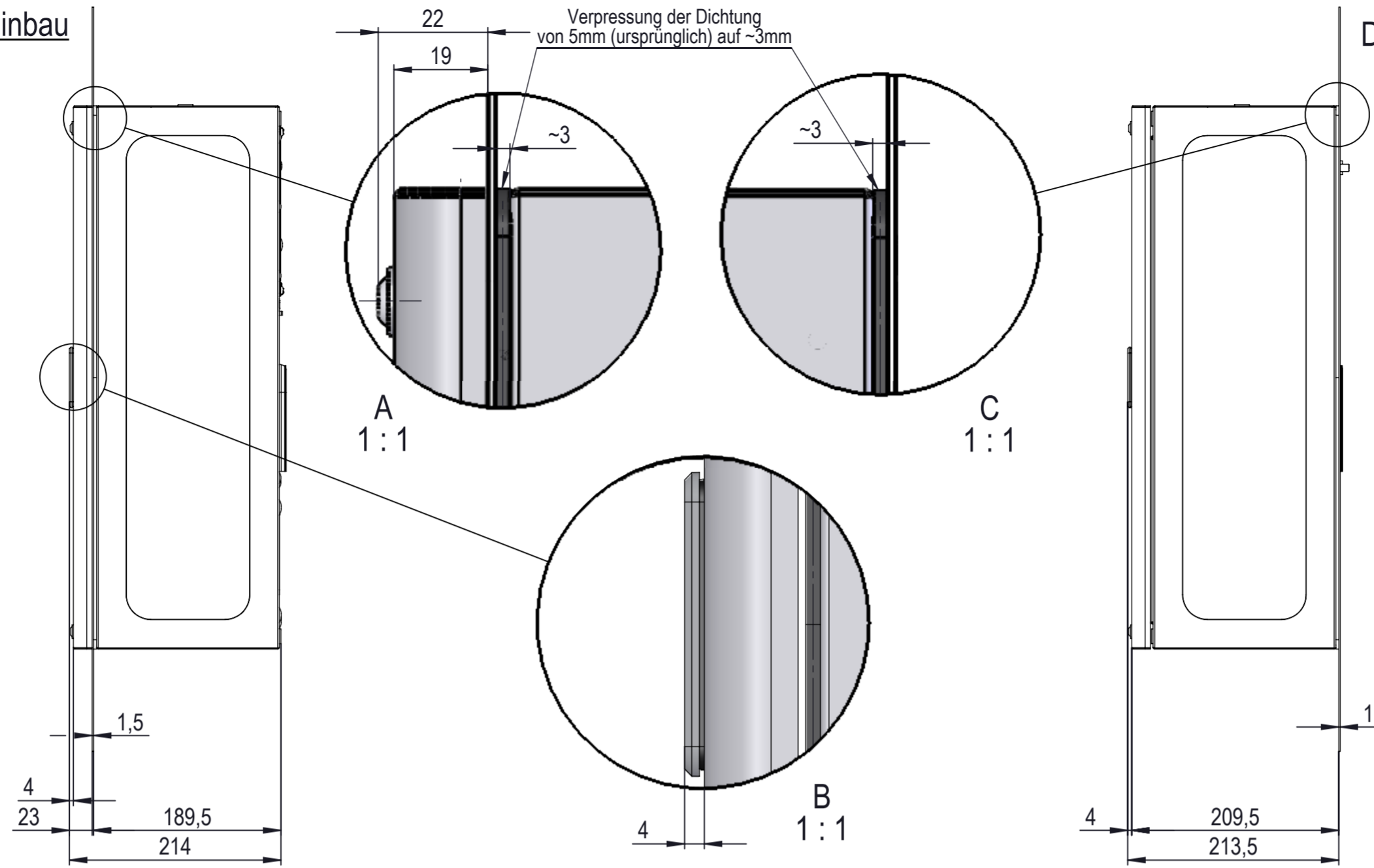
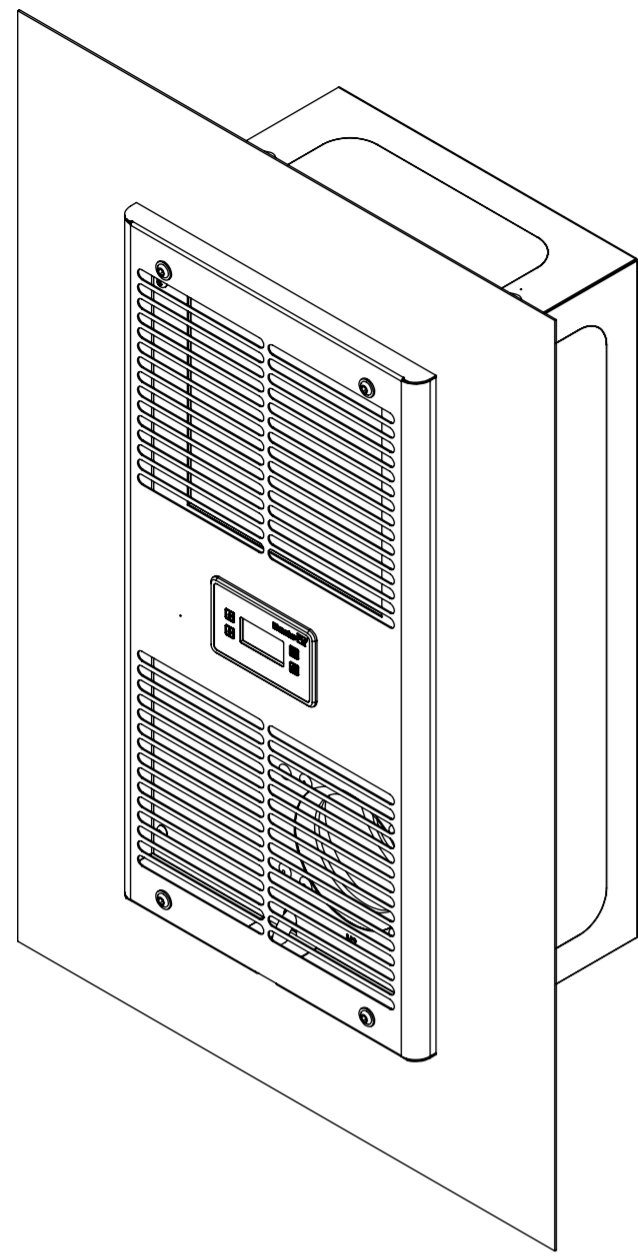
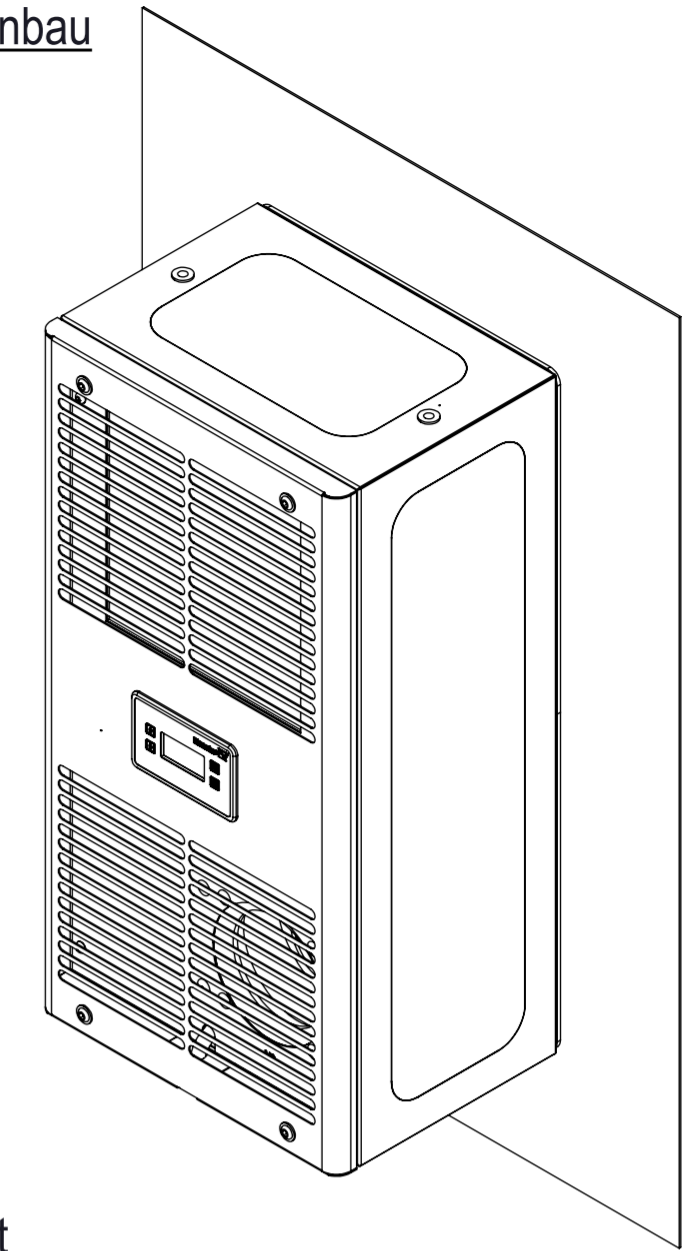


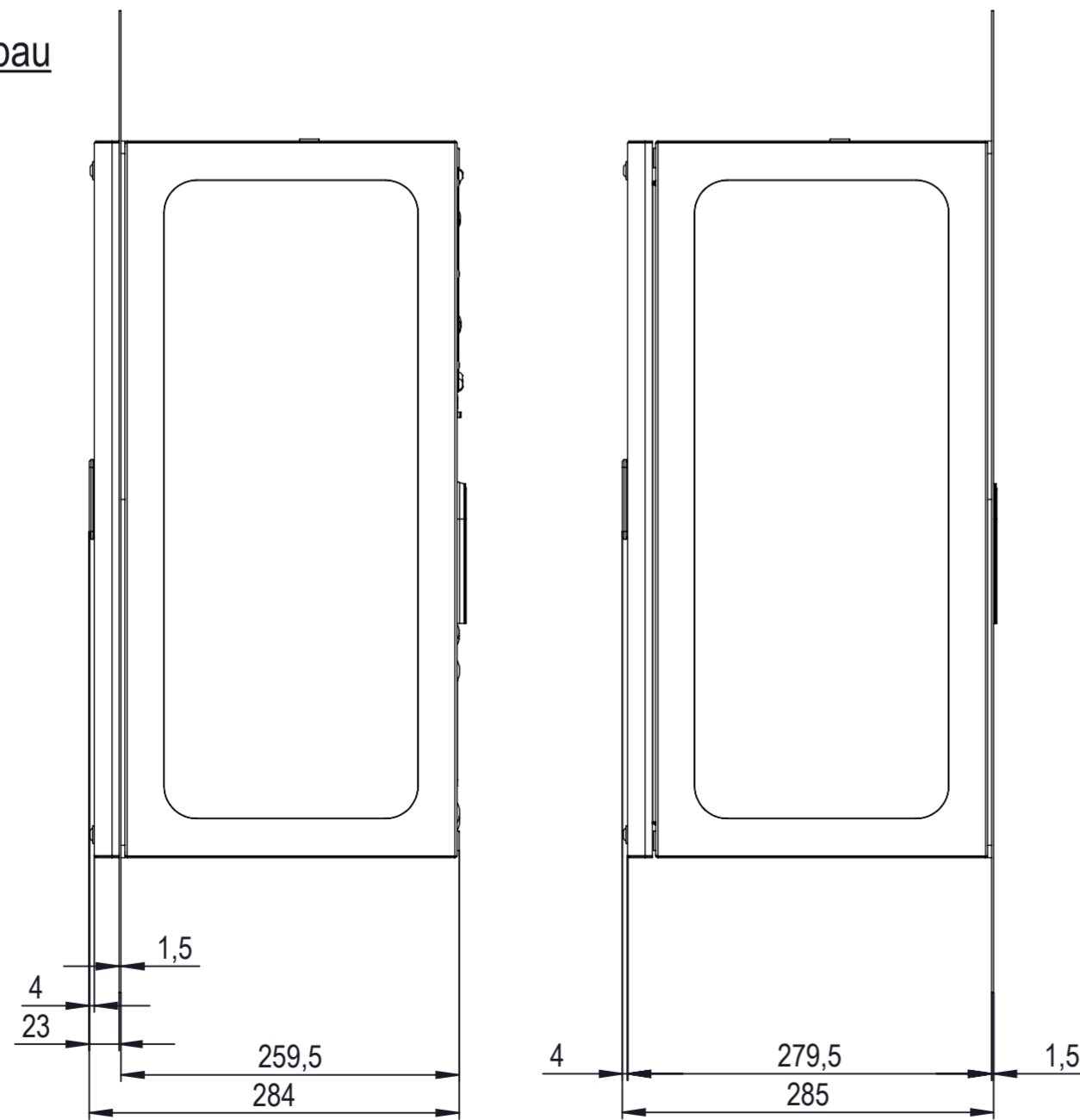
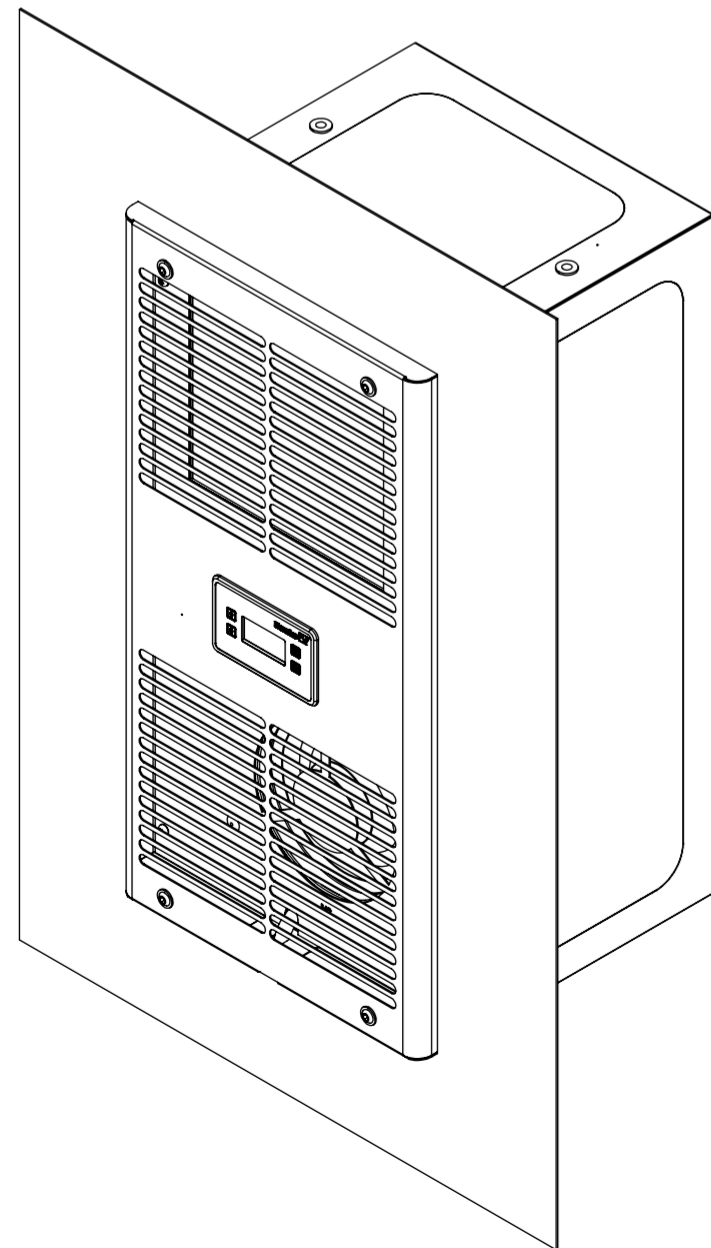
DTFS 6021 & 6031 - DTI Einbau



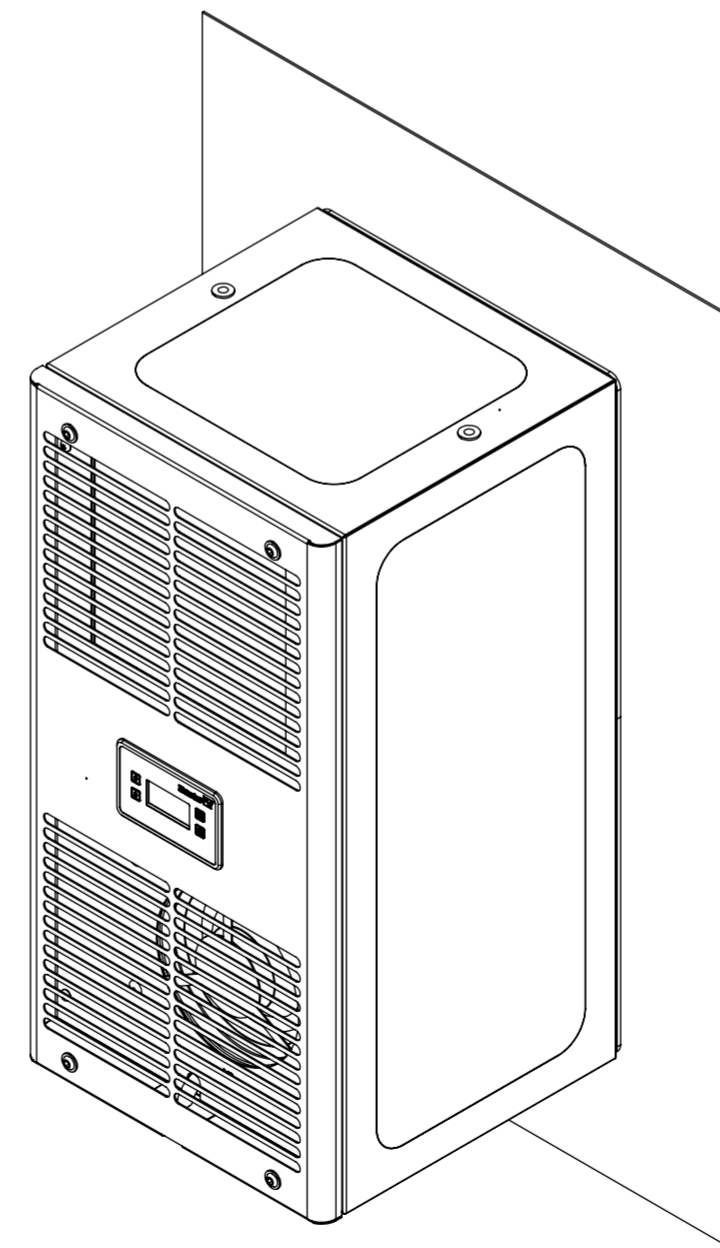
DTFS 6021 & 6031 - DTS Einbau



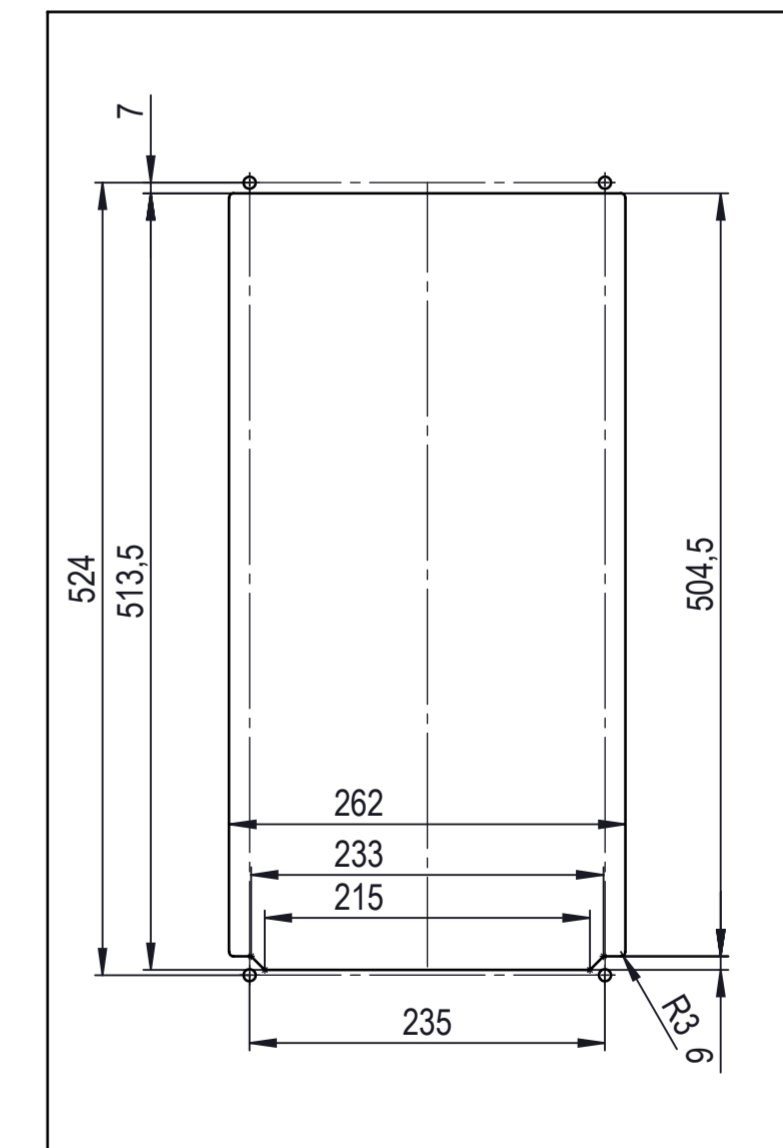
DTFS 6041 - DTI Einbau



DTFS 6041 - DTS Einbau



DTFS Cut Out



ISO STANDARD REVISION LABEL	ANSI STANDARD REVISION LABEL	Algemeintoleranzen/ Tolerance ISO 2768-m	Maßstab/ Scale 1:5	Telle-Nr. Part-No.
Bemassung/Dimension: mm [inch]		Datum/Date 05 Dec 2023	Name/Name	Benennung/Description: DTFS 60x1
		Gespr. / Checke by	Ges. / Modific y	Material <nicht festgelegt>
		Pfannenberg ELECTRO-TECHNOLOGY FOR INDUSTRY		30487-100
		REVISION		00- 1/1 Blatt/Blätter page/pages DIN A2

Copyright reserved of DIN 34 and ISO/DIS 16016: "The copying, distribution and utilization of this document as well as the communication for its contents to others without expressed authorization is prohibited. Offenders will be held liable for the payment of damages. All rights reserved in the event of the grant of a patent, utility model or ornamental design registration."