

FLASHING LIGHT 13 J

Quadro S-M-Flex



Proven tunnel safety light; conforms to the guideline of the Swiss Federal Highways Authority: 'Signaling systems of safety devices in tunnels'.

- Synchronised flashing of up to 10 beacons in series with no additional controller.
- Initial current limited to below 1 A.
- Integrated function monitoring with fault message contact.
- Variable brightness and flash frequency settings on-site on the device.
- Use of double-pole terminal for the simple connection of parallel operated lights.



protection systems



impact-proof housing



operating temperature



warranty

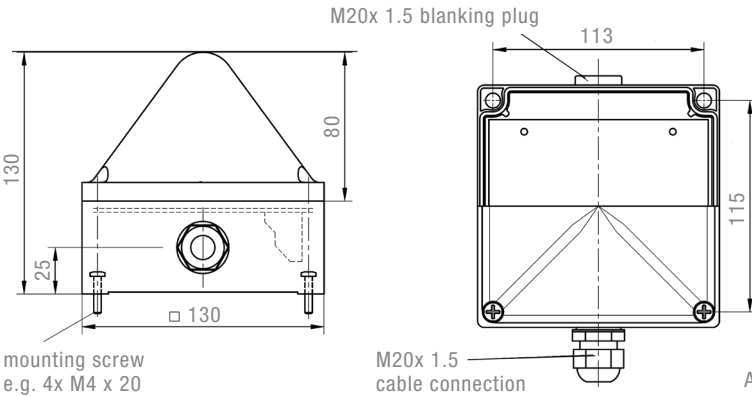


PRODUCT	Quadro S-M-Flex	
---------	-----------------	--

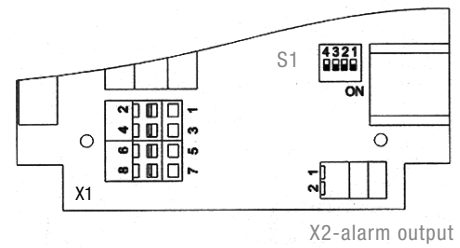
DATA		
Rated voltage	230 V AC 50 60 Hz	115 V AC 50 60 Hz
Operating range	195–253 V	95–127 V
Nominal current consumption	250 mA (1 Hz / 13 J)	350 mA (1 Hz / 13 J)
Initial current limited to	<1 A / 10 ms	
Alarm output	230 V / 80 mA	
Flash rate	adjustable (1 Hz = 60 flashes/min. factory setting)	
Flash energy	max. 13 J	
Light intensity (DIN 5037) ¹	260 cd	
Max. viewing distance	374 m	
Operating temperature	–25 °C ... +55 °C	
Storage temperature	–40 °C ... +70 °C	
Relative humidity	100 %	
Protection system (EN 60529)	IP 66, IP 67; mounting arbitrary	
Impact resistance (EN 50102)	IK08	
Protection class	II	
Duty cycle	100 %	
Service life of the light source	light emission still 70 % after 12,000,000 flashes	
Material	lens	polycarbonate (PC)
	housing	polycarbonate (PC), RAL 7035
Connecting terminal	cage clamp 0.08–2.5 mm ²	
Cable entry (prepared)	2x M20x 1.5 sideways	
Mounting	external lugs	113 x 153 mm – M5 or 127.1 x 127.1 mm – M5
	internal holes	113 x 113 mm
Weight	600 g	

¹ with a clear lens

DIMENSIONS



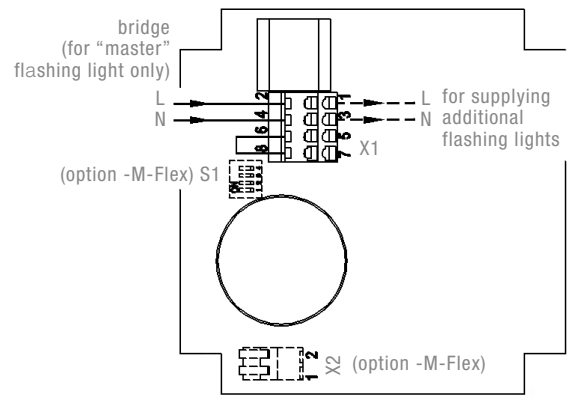
FAULT MESSAGE CONTACT



Additional mounting possible via external lugs (included).

DIP SWITCH SETTING				SETTING	
4	3	2	1	Frequency (Hz)	Flash energy (J)
				1	13
			ON	1.33	13
		ON		0.5	13
		ON	ON	0.1	13
	ON			1	7.5
	ON		ON	2	7.5
	ON	ON		0.5	7.5
	ON	ON	ON	0.1	7.5
ON				1.5	11
ON			ON	1.75	10
ON		ON		2.5	7.5
ON		ON	ON		7.5
ON	ON				7.5
ON	ON		ON		7.5
ON	ON	ON			7.5
ON	ON	ON	ON	repeating	7.5
ON	ON	ON	ON	only one flash	13
without synchronisation				0.66	7.5

CONNECTION DIAGRAM



ARTICLE NO.	Quadro S-M-Flex
LENS COLOUR	230 V AC
	21042101179
	21042103179
	21042104179
	21042105179

Article numbers for other colours and voltages on request.

CONFORMITY TO STANDARDS

The visual characteristics of flashing lights conform to the European standard DIN EN 842; "Machine safety – visual alarm signals". Requirements contained in the DIN EN 981 standard; "Machine safety – system of acoustic and visual alarm and information signals", can be fulfilled. The colours "red" for the emergency signal and "yellow" for the warning signal conform to the requirements of IEC 73 / DIN EN 60073 / VDE 0199; "Coding of display devices and control elements using colours and supplementary means".

References to visual alarm devices can be found in the following standards:

- EN 60825-1 Radiation safety of laser devices, identical to IEC 825 and DIN-VDE 0837
- DIN EN 54 Fire alarm systems
- DIN 54113-2 Radiation protection regulations for the technical operation of X-ray equipment up to 500 kV