

PTF 1200

FILTERFANS FOR ROOF MOUNTING 1000 m³/h

- Air flow rate up to 1000 m³/h
- Protection class IP 54 / NEMA Type 12
- Compact size: this allows the combination of two units on one standard housing
- Energy-efficient EC centrifugal fan
- Full metal housing
- Optimum airflow and uniform temperature distribution (natural convection of the air is supported)
- Easy mounting
- UR approval



PRODUCT	PTF 1200		
ARTICLE NO.	11692102055	11692152055	Unit
DATA			
Rated voltage ±10 %	AC 50 60 Hz		
	230	115	V
Unimpeded airflow	1000		m ³ /h
Airflow rate in comb. with 2x exhaust filter (IP 55)	870		
Power consumption	170		W
Current consumption	1.40	2.20	A
Noise level according to DIN ISO 13347	74		dB (A)
Weight	6.55		kg
Type of connection	X-COM plug		
Fuse	6		A
System of protection according to EN 60529 / UL 50	IP 54 / NEMA Type 12		
Filtration efficiency	81		%
Filter mat quality class according to EN 779	G 4		
Bearing type	ball bearing		
Service life L ₁₀ (+ 40 °C) ¹	approx. 70000		h
Operating temperature	-25 ... +60 -13 ... +140	-25 ... +50 -13 ... +122	°C °F
Storage temperature	-40 ... +80 -40 ... +175		
Design	sheet steel, powder-coated		
Mounting	Screw mounting on the enclosure roof		
Colour	RAL 7035 different colours available on request		

ACCESSORIES		ARTICLE NUMBER
Spare filter mats	20 pieces	18611600193
Thermostat		17121000000
Hygrostat		17207000000

For additional models, options and voltages visit www.pfannenbergl.com or contact us directly.

¹ fan failure is defined as being when the current and speed deviate or the operating noises are out of the ordinary

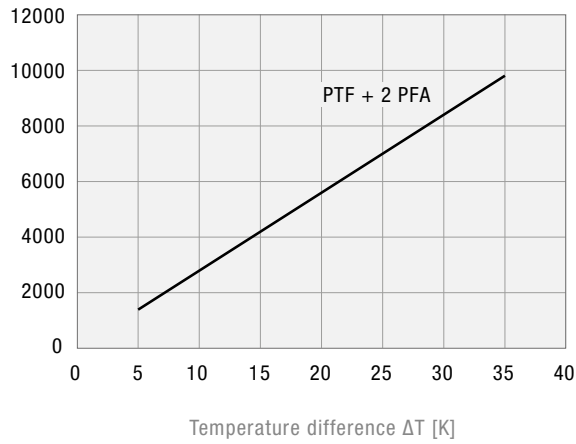
² L₁₀ (+25 °C)

Cooling capacity performance curves

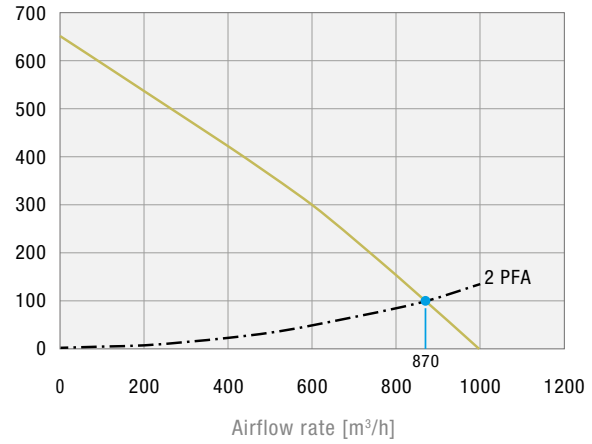
Static pressure performance curve

PTF 1200

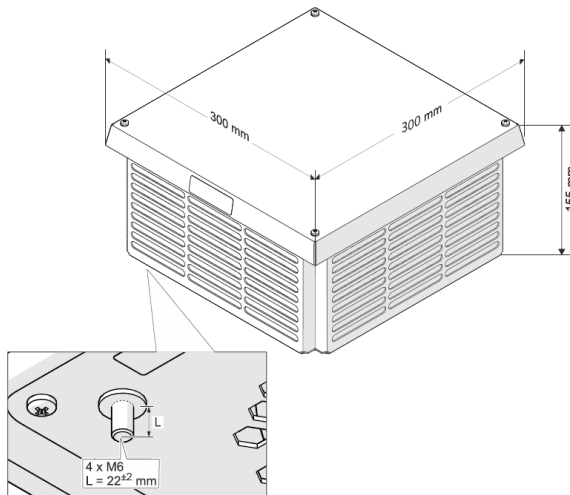
Cooling capacity [W]



Static Pressure [Pa]



Dimensions



Cut-out

